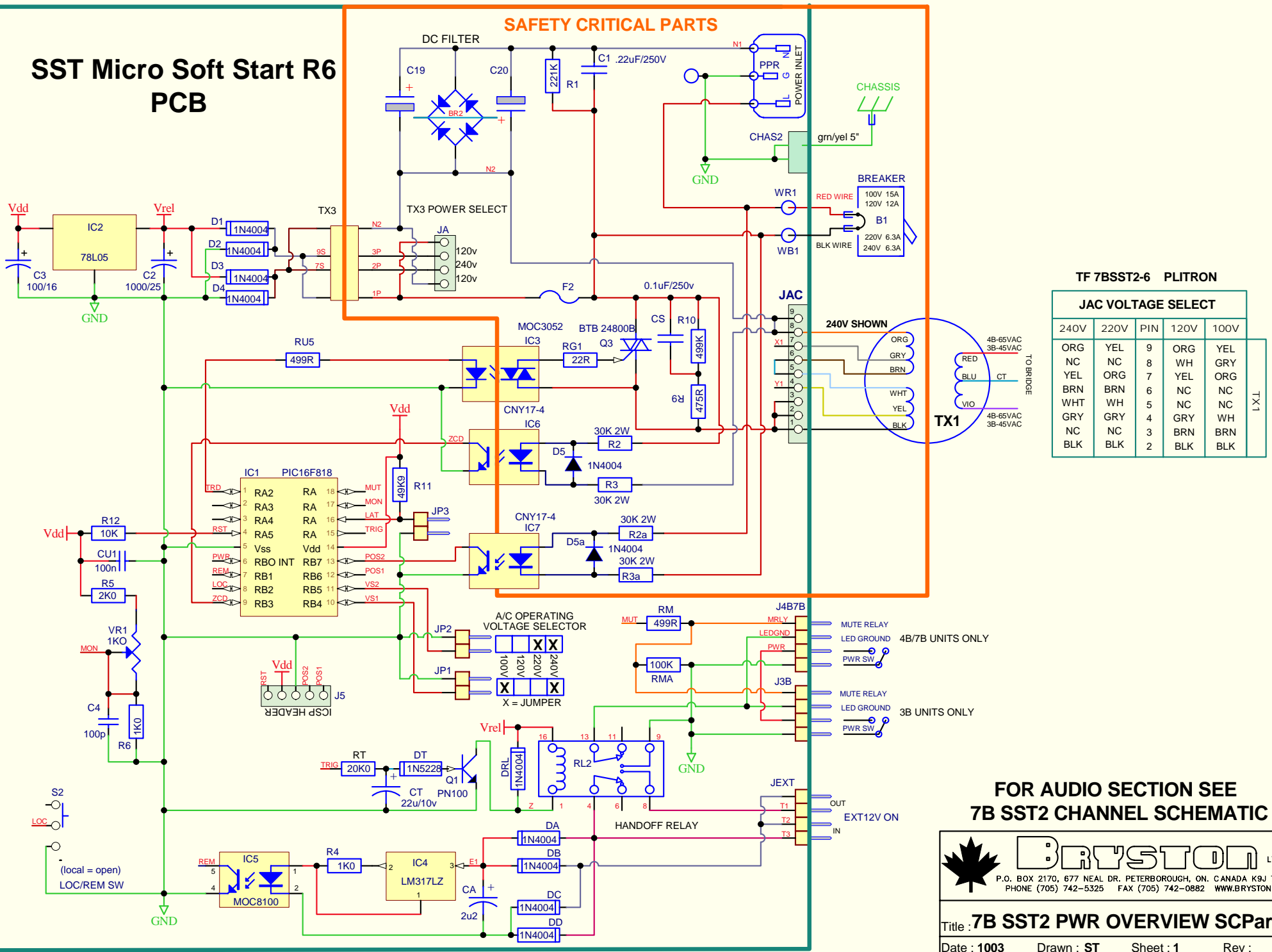


SST Micro Soft Start R6 PCB

SAFETY CRITICAL PARTS



TF 7BSST2-6 PLITRON

JAC VOLTAGE SELECT				
240V	220V	PIN	120V	100V
ORG	YEL	9	ORG	YEL
NC	NC	8	WH	GRY
YEL	ORG	7	YEL	ORG
BRN	BRN	6	NC	NC
WHT	WH	5	NC	NC
GRY	GRY	4	GRY	WH
NC	NC	3	BRN	BRN
BLK	BLK	2	BLK	BLK

FOR AUDIO SECTION SEE
7B SST2 CHANNEL SCHEMATIC

BRYSTON LTD
 P.O. BOX 2170, 677 NEAL DR. PETERBOROUGH, ON, CANADA K9J 7Y4
 PHONE (705) 742-5325 FAX (705) 742-0882 WWW.BRYSTON.CA

